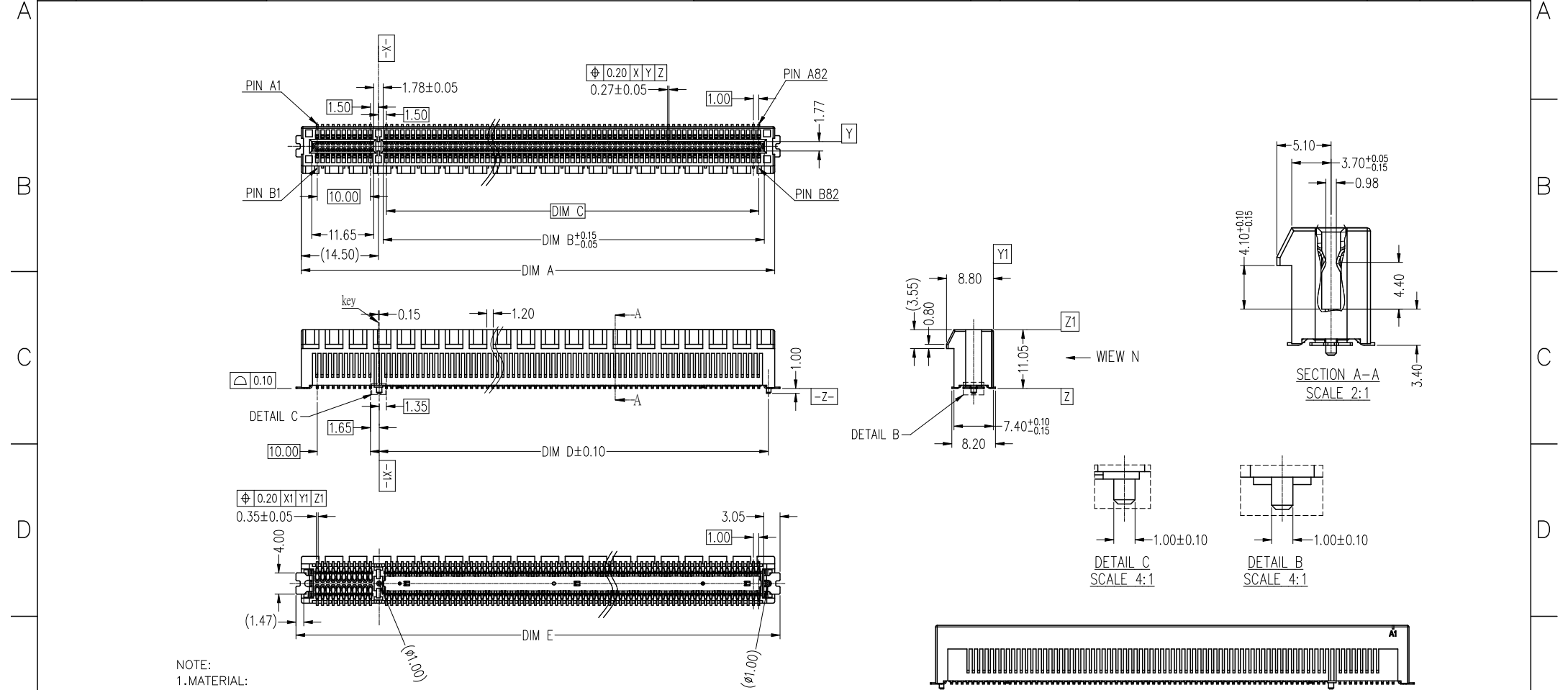
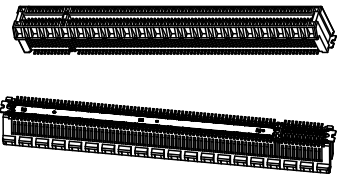


1	2	3	4	5	6	7	8				
THIS DRAWING AND THE DATA DISCLOSED HEREIN OR HEREWITH IS NOT TO BE REPRODUCED USED OR DISCLOSED IN WHOLE OR IN PART TO ANYONE WITHOUT THE PERMISSION OF JESS-LINK PRODUCTS CO.,LTD.(JPC)				CUSTOMER DRAWING DRWC-007705		REV.	ECN NO.	DESCRIPTION	MDF'D	APP'D	DATE
						01		INITIAL DESIGN	Veera	Jason	06/30/2023
						02					
						03					



NOTE:
 1.MATERIAL:
 HOUSING:LCP E130i,UL 94V-0, BLACK.
 TERMINAL:C7025 TM03, T=0.25±0.01mm.
 GND PIN:SUS304 1/2H, T=0.15±0.01mm.
 STATOR:SUS304 1/2H, T=0.25±0.01mm.
 2.FINISH:
 TERMINAL:
 CONTACT AREA: 30u" GOLD PLATING.
 SOLDERING AREA:TIM PITING 100u"MIN THICKNESS
 UNDER PLATING:NICKEL PLATING 50u"MIN THICKNESS.
 GND PIN:NO PLATING.
 STATOR:
 MATTE TIN PLATING 100u"MIN THICKNESS.OVERALL
 UNDER PLATING:NICKEL PLATING 50u"MIN THICKNESS.
 3.THIS PRODUCT DOESNT CONTAIN ENVIRONMENTAL HAZARDOUS
 PER DIRECTIVE 2011/65/EU FOR RoHS COMPLIANT



RoHS COMPLIANT	HALOGEN FREE	Unit: mm(inch)	PROJECTION				JPC connectivity	
		GENERAL TOLERANCES: (UNLESS SPECIFIED)	D.R.	06/30/2023				
		0 = ±.50	Veera	06/30/2023	SCALE	SIZE	PART NO.	REV. 01
		0.0 = ±.25 0.00 = ±.15 0.000 = ±.05 0° = ±.2° 0.0° = ±.1°	Albert	06/30/2023	1:1	A4	PDU5004164Q1-1	SHEET 1 OF 3

